


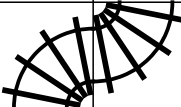
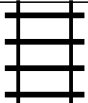




PUZZLE MADNESS

Daily Train Tracks Puzzle for Friday 1st July 2005

4	4	7	4	7	2	
						3
						1
						1
						3
						5
						3
						6
						4
						1
						1