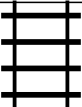
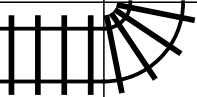





PUZZLE MADNESS

Daily Train Tracks Puzzle for Tuesday 23rd August 2005

						1
						2
						2
						1
						5
						3
						6
						3
						3
						2