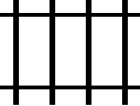

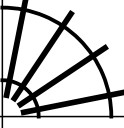





# PUZZLE MADNESS

Daily Train Tracks Puzzle for Monday 27th November 2006

2 4 5 6 2 1

						2
						2
						6
						4
						1
						3
						2