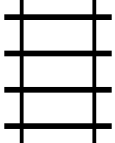
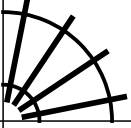
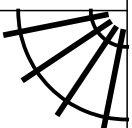




PUZZLE MADNESS

Daily Train Tracks Puzzle for Saturday 18th February 2006

2 2 3 5 3 4

						1
						2
						5
						6
						3
						1
						1