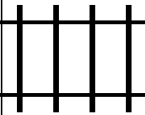
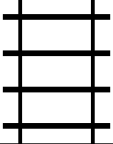





PUZZLE MADNESS

Daily Train Tracks Puzzle for Tuesday 28th March 2006

3 3 2 5 3 3

						4
						2
						2
						1
						4
						3
						3