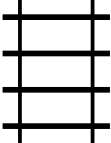
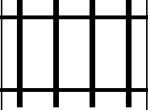





PUZZLE MADNESS

Daily Train Tracks Puzzle for Monday 18th September 2006

1 2 2 5 6 3

						1
						1
						4
						4
						5
						2
						2