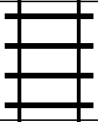

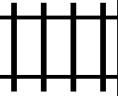
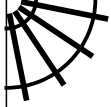
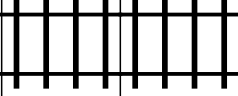
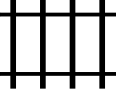
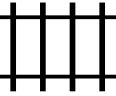




PUZZLE MADNESS

Daily Train Tracks Puzzle for Friday 22nd June 2007

1 3 3 3 6 4 4 4 3 2

| | | | | | | | | | | |
|---|--|--|---|--|---|---|--|--|---|---|
| | | | | | | | |  | | 1 |
| | | |  | | | | | | | 5 |
|  | | | | | | | | |  | 9 |
| | | | | | | | | | | 4 |
| | | | | | | | | | | 3 |
| | | | | |  |  | | | | 5 |
| | | | | | |  | | | | 6 |