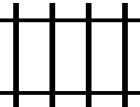
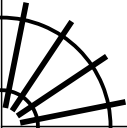
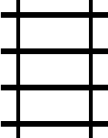




PUZZLE MADNESS

Daily Train Tracks Puzzle for Thursday 2nd August 2007

3 1 2 3 5 5

						2
						2
						3
						4
						3
						3
						2