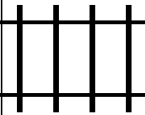
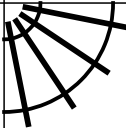
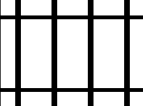




PUZZLE MADNESS

Daily Train Tracks Puzzle for Wednesday 15th October 2008

3 4 6 4 2 1

						2
						2
						1
						3
						6
						4
						2