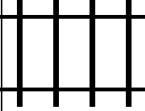





PUZZLE MADNESS

Daily Train Tracks Puzzle for Sunday 27th July 2008

3 3 4 2 5 2

						3
						3
						5
						1
						4
						2
						1