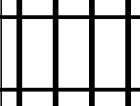
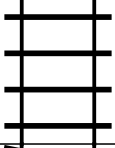
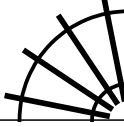

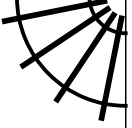




PUZZLE MADNESS

Daily Train Tracks Puzzle for Monday 11th August 2008

1 5 3 3 4 3 1 2

								2
								4
								6
								5
								2
								3