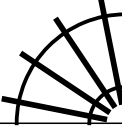
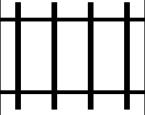
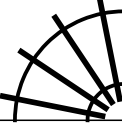
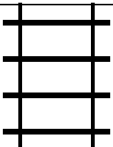




PUZZLE MADNESS

Daily Train Tracks Puzzle for Wednesday 18th November 2009

2 3 2 5 4 4

						2
						5
						2
						4
						3
						3
						1