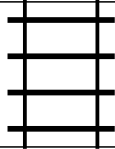
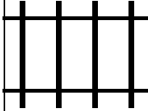
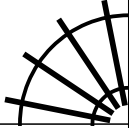
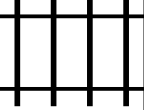




# PUZZLE MADNESS

Daily Train Tracks Puzzle for Thursday 10th December 2009

1 2 4 4 5 2 6 3

								2
								5
								4
								3
								5
								6
								2