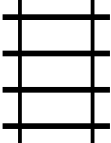
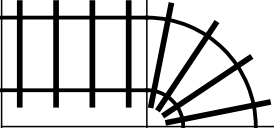




PUZZLE MADNESS

Daily Train Tracks Puzzle for Tuesday 31st March 2009

1 2 4 5 4 4

						1
						2
						3
						3
						3
						6
						2