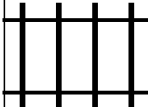
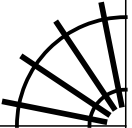

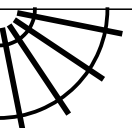




# PUZZLE MADNESS

Daily Train Tracks Puzzle for Monday 26th April 2010

1 3 3 3 5 5 2 5

								5
								5
								7
								2
								2
								4
								2