



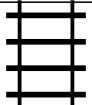




PUZZLE MADNESS

Daily Train Tracks Puzzle for Wednesday 23rd June 2010

						3
						2
						1
						2
						5
						2
						3
						6
						4
						1