
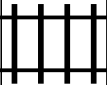

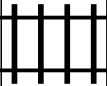




PUZZLE MADNESS

Daily Train Tracks Puzzle for Saturday 7th August 2010

						4
						4
						1
						3
						4
						2
						2
						2
						3
						4