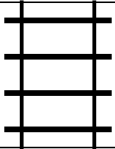
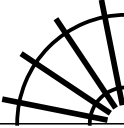
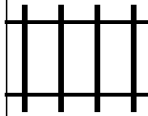





PUZZLE MADNESS

Daily Train Tracks Puzzle for Thursday 17th October 2013

1 3 3 5 4 3

| | | | | | | |
|---|---|--|---|--|--|---|
| | | | | | | 2 |
| | | |  | | | 3 |
| |  | | | | | 4 |
|  | | | | | | 4 |
| | | | | | | 2 |
| | | | | | | 2 |
| |  | | | | | 2 |