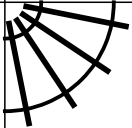
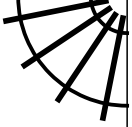
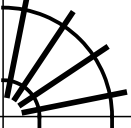
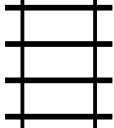




# PUZZLE MADNESS

Daily Train Tracks Puzzle for Saturday 10th August 2013

3 5 5 3 1 2

						3
						3
						4
						4
						2
						2
						1