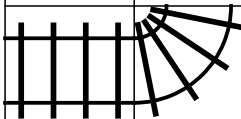
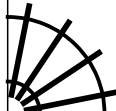




PUZZLE MADNESS

Daily Train Tracks Puzzle for Monday 20th October 2014

1 4 6 4 4 3

						2
						4
						3
						2
						3
						1
						2
						5