
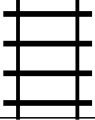
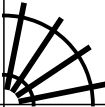





# PUZZLE MADNESS

Daily Train Tracks Puzzle for Saturday 13th December 2014

2 2 2 2 2 5 6 4 2 5

										3
										5
										8
										7
										3
										4
										2