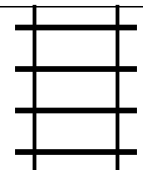
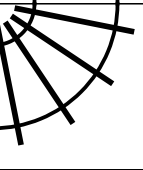
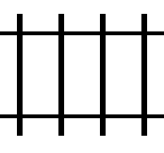




# PUZZLE MADNESS

Daily Train Tracks Puzzle for Sunday 7th December 2014

4 2 4 6 1 1

						1
						4
						3
						3
						4
						3