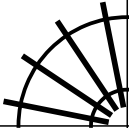

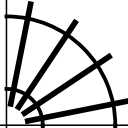
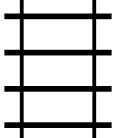




# PUZZLE MADNESS

Daily Train Tracks Puzzle for Tuesday 4th March 2014

5 3 6 2 5 2 1 2

								2
								6
								5
								3
								4
								5
								1