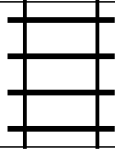
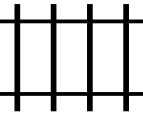





PUZZLE MADNESS

Daily Train Tracks Puzzle for Monday 4th January 2016

1 2 2 6 4 6 4 2

								2
								4
								4
								5
								2
								5
								5