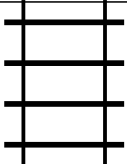
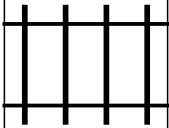
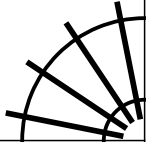




# PUZZLE MADNESS

Daily Train Tracks Puzzle for Saturday 7th May 2016

2 2 6 3 2 1 3

							1
							3
							4
							4
							5
							2