


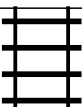




PUZZLE MADNESS

Daily Train Tracks Puzzle for Friday 23rd February 2018

	4	9	7	3	2	3	
							2
							2
							2
							3
							2
							4
							4
							3
							5
							1