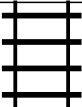

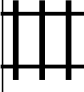
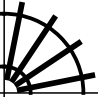




PUZZLE MADNESS

Daily Train Tracks Puzzle for Sunday 22nd April 2018

3	3	6	5	6	6	
						1
						4
						3
						5
						2
						4
						2
						2
						4
						2