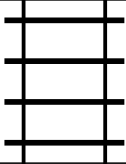
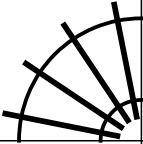
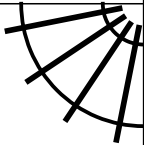




PUZZLE MADNESS

Daily Train Tracks Puzzle for Tuesday 29th January 2019

2 4 2 4 1 4 3

							1
							1
							5
							4
							4
							5