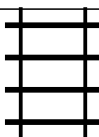







PUZZLE MADNESS

Daily Train Tracks Puzzle for Sunday 21st July 2019

1 3 4 7 6 2

						2
						2
						2
						4
						5
						4
						1
						3