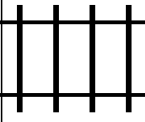

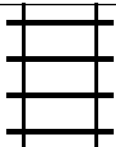




# PUZZLE MADNESS

Daily Train Tracks Puzzle for Saturday 25th January 2020

1 2 2 7 5 3

						4
						5
						3
						3
						2
						2
						1