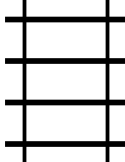
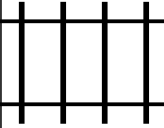
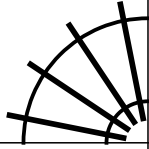




PUZZLE MADNESS

Daily Train Tracks Puzzle for Friday 20th March 2020

1 4 4 3 4 3

						1
						2
						6
						3
						5
						2