


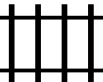





# PUZZLE MADNESS

Daily Train Tracks Puzzle for Tuesday 14th September 2021

						2
						3
						3
						2
						3
						4
						4
						3
						3
						2