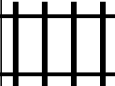



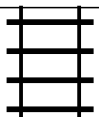




# PUZZLE MADNESS

Daily Train Tracks Puzzle for Monday 11th December 2023

3 4 4 6 7 4 2

							3
							5
							5
							4
							1
							1
							5
							5
							1