

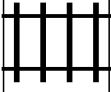





PUZZLE MADNESS

Daily Train Tracks Puzzle for Wednesday 7th February 2024

2	8	6	6	3	3	
						2
						3
						2
						2
						4
						4
						2
						2
						5
						2