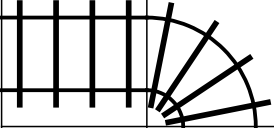

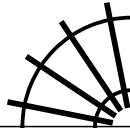
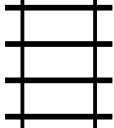




PUZZLE MADNESS

Daily Train Tracks Puzzle for Thursday 25th July 2024

1 3 6 5 3 2

						3
						5
						5
						3
						1
						2
						1