

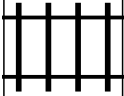
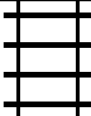
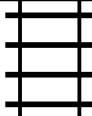






PUZZLE MADNESS

Daily Train Tracks Puzzle for Monday 5th August 2024

2 3 6 3 2 6 5 2 2 1

										2
										5
										5
										4
										4
										8
										4