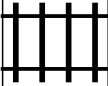








# PUZZLE MADNESS

Daily Train Tracks Puzzle for Saturday 4th January 2025

								3
								4
								8
								5
								1
								2
								2
								3
								6
								3