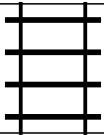


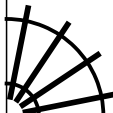




# PUZZLE MADNESS

Daily Small Train Tracks Puzzle for Thursday 25th August 2005

2 4 4 6 4 3

						1
						2
						4
						4
						5
						2
						2
						3