
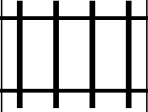




# PUZZLE MADNESS

Daily Small Train Tracks Puzzle for Wednesday 11th December 2013

2 6 5 2 2 3

						2
						5
						1
						6
						2
						2
						2