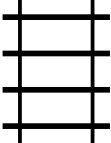
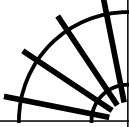
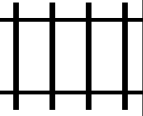




PUZZLE MADNESS

Daily Small Train Tracks Puzzle for Tuesday 10th March 2015

2 3 2 3 6 4

						1
						2
						4
						5
						5
						1
						2