
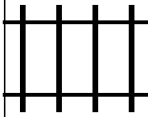
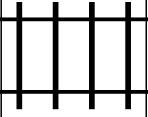





# PUZZLE MADNESS

Daily Small Train Tracks Puzzle for Monday 5th October 2020

1 5 5 4 3 2 2 1

								2
								4
								5
								6
								3
								3