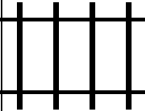
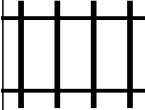





PUZZLE MADNESS

Daily Small Train Tracks Puzzle for Sunday 3rd November 2024

3 5 6 1 4 1

						2
						3
						2
						4
						4
						2
						3